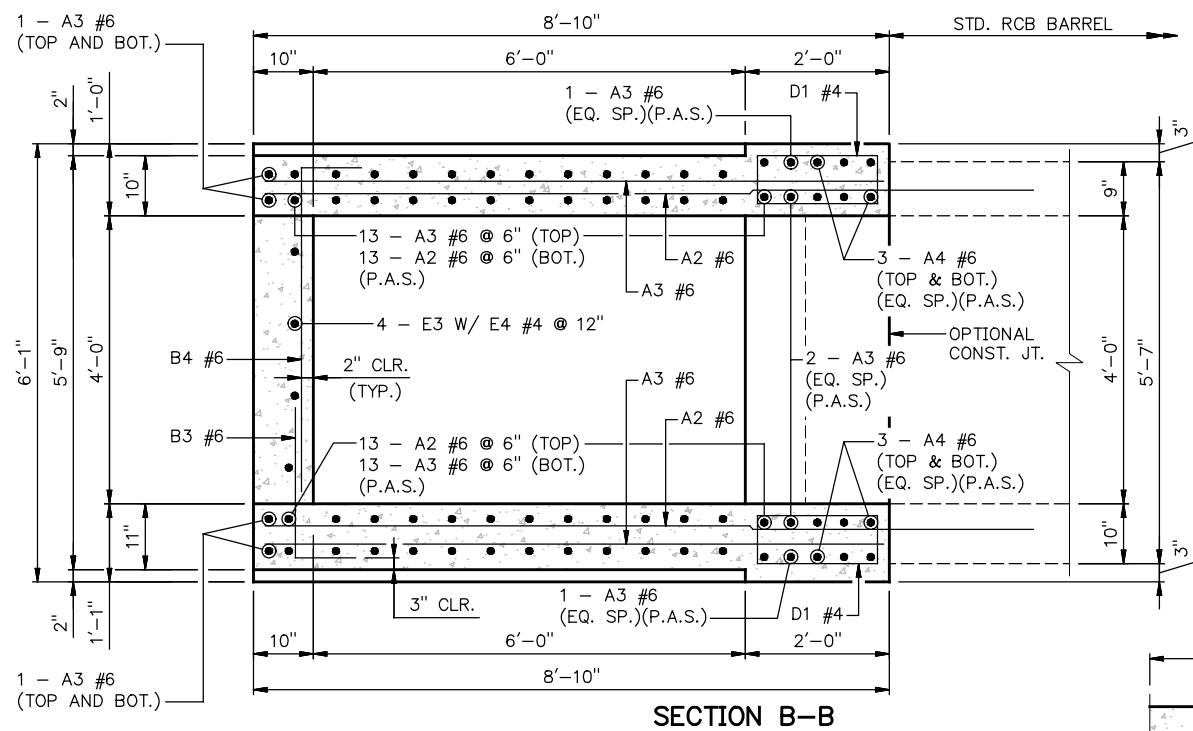


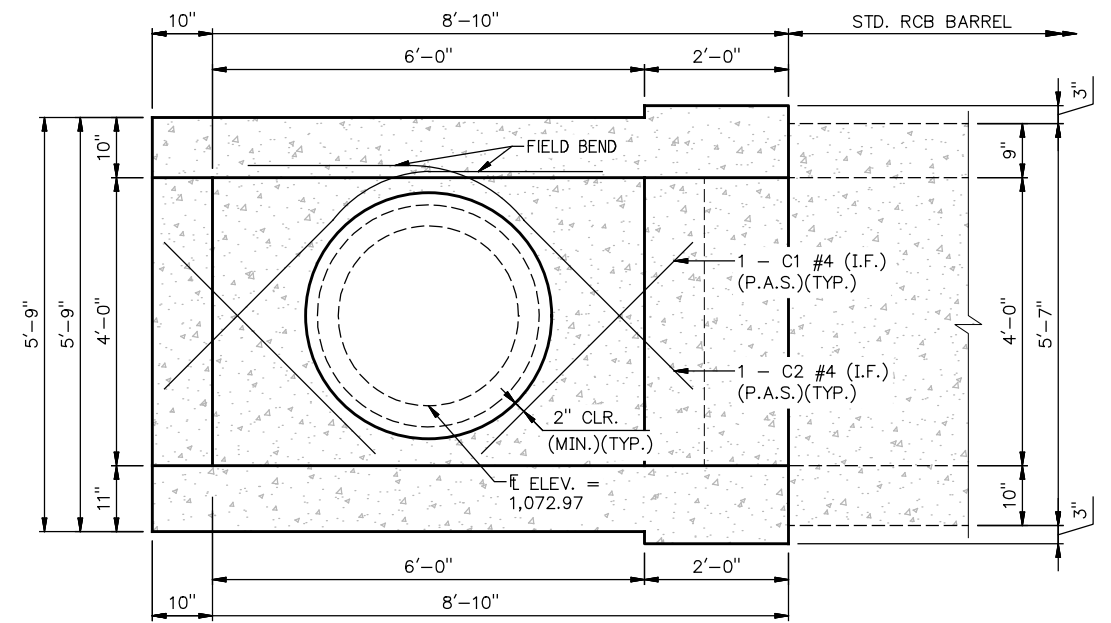
**SECTION A-A**



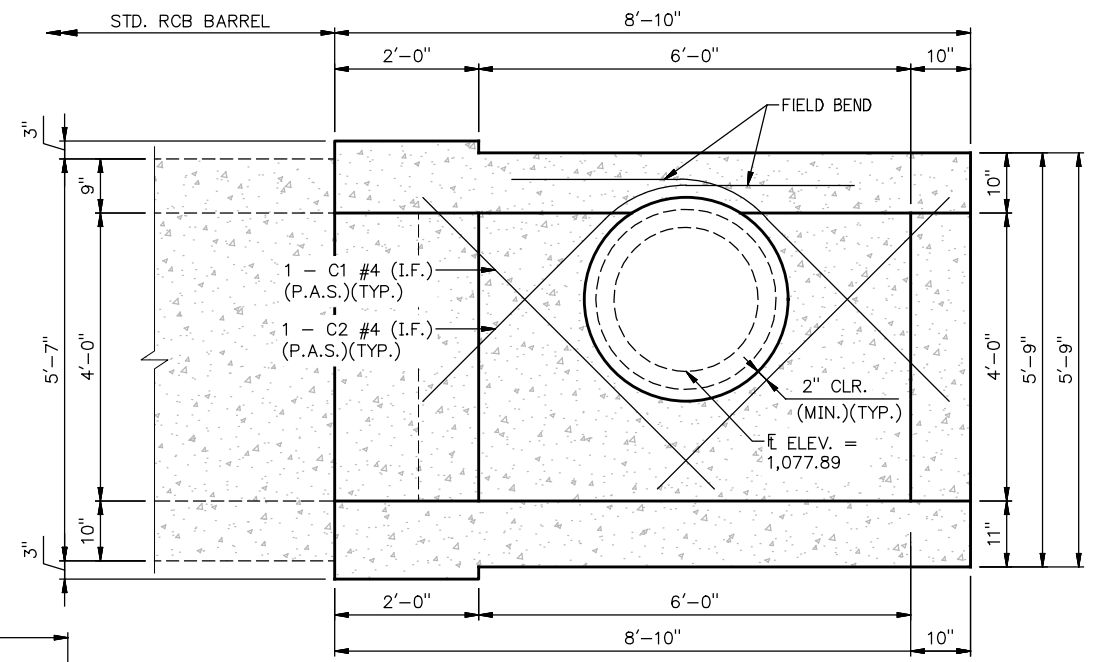
**SECTION B-B**

NOTE  
 COST OF RCP STUB INTO RCB WALL  
 FROM STR. 15 AND REINFORCING SHALL  
 BE INCLUDED IN OTHER ITEMS OF WORK.

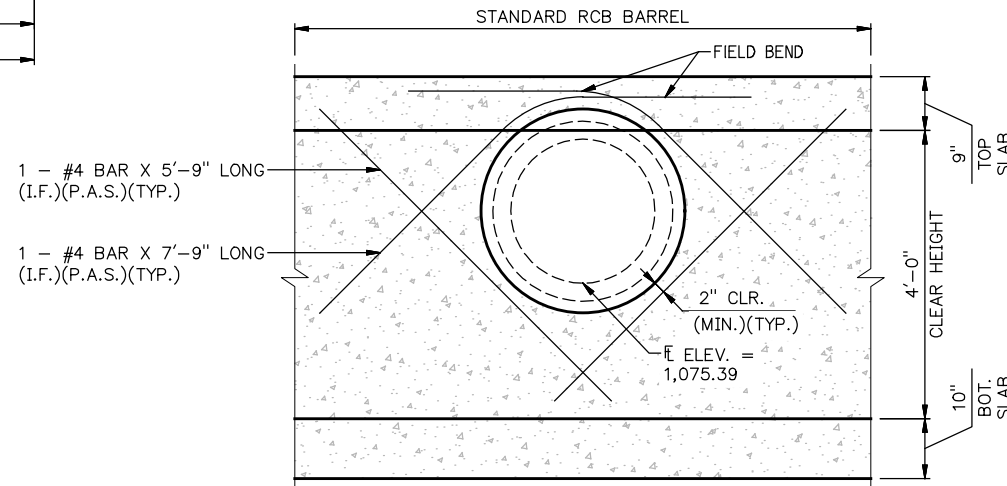
NOTES  
 I.F. = DENOTES INSIDE FACE  
 P.A.S. = DENOTES PLACED AS SHOWN



**SECTION C-C**  
 (SHOWING RCP STUB FROM STR. 14)  
 (WEST 90° BEND SECTION)



**SECTION D-D**  
 (SHOWING RCP STUB FROM STR. 19)  
 (EAST 90° BEND SECTION)



**RCP STUB FROM STR. 15 DETAIL**

**STRUCTURE 16 DETAILS**  
 (90° BEND AND RCP STUB DETAILS)  
 (DETAIL 3 OF 4)